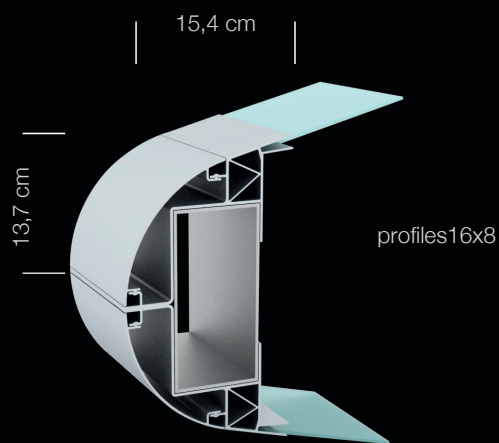
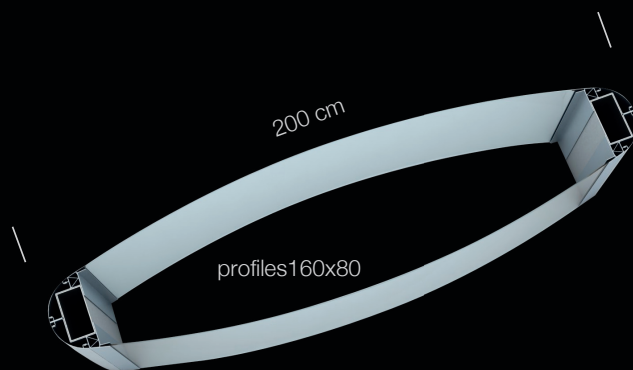
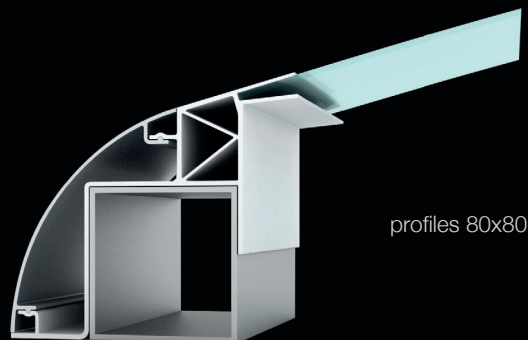


TOTEM



Totem teaches aluminum electro-made modern automatic cutting lines. Teaches this type of is particularly strong, as designed to withstand all weather and climatic conditions varied. The structure is made of aluminum electro-not oxidize even in the presence of moisture. The Totem has a design versatile, modern and original, with its characteristic elliptical shape. Composed of two identical profiles mounted in a specular way, can also be used in single-mode.